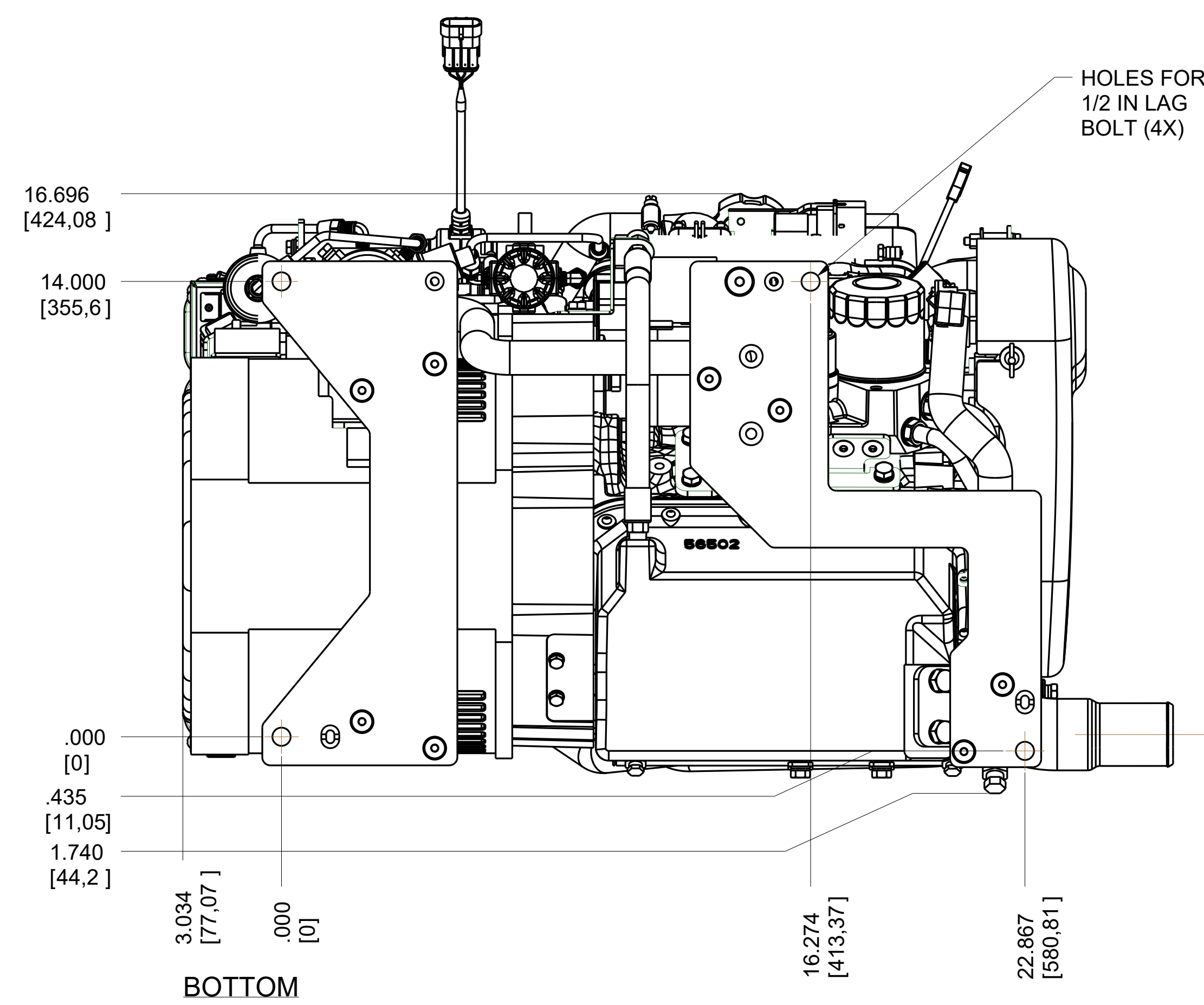


SIDE EXHAUST OPTION SHOWN

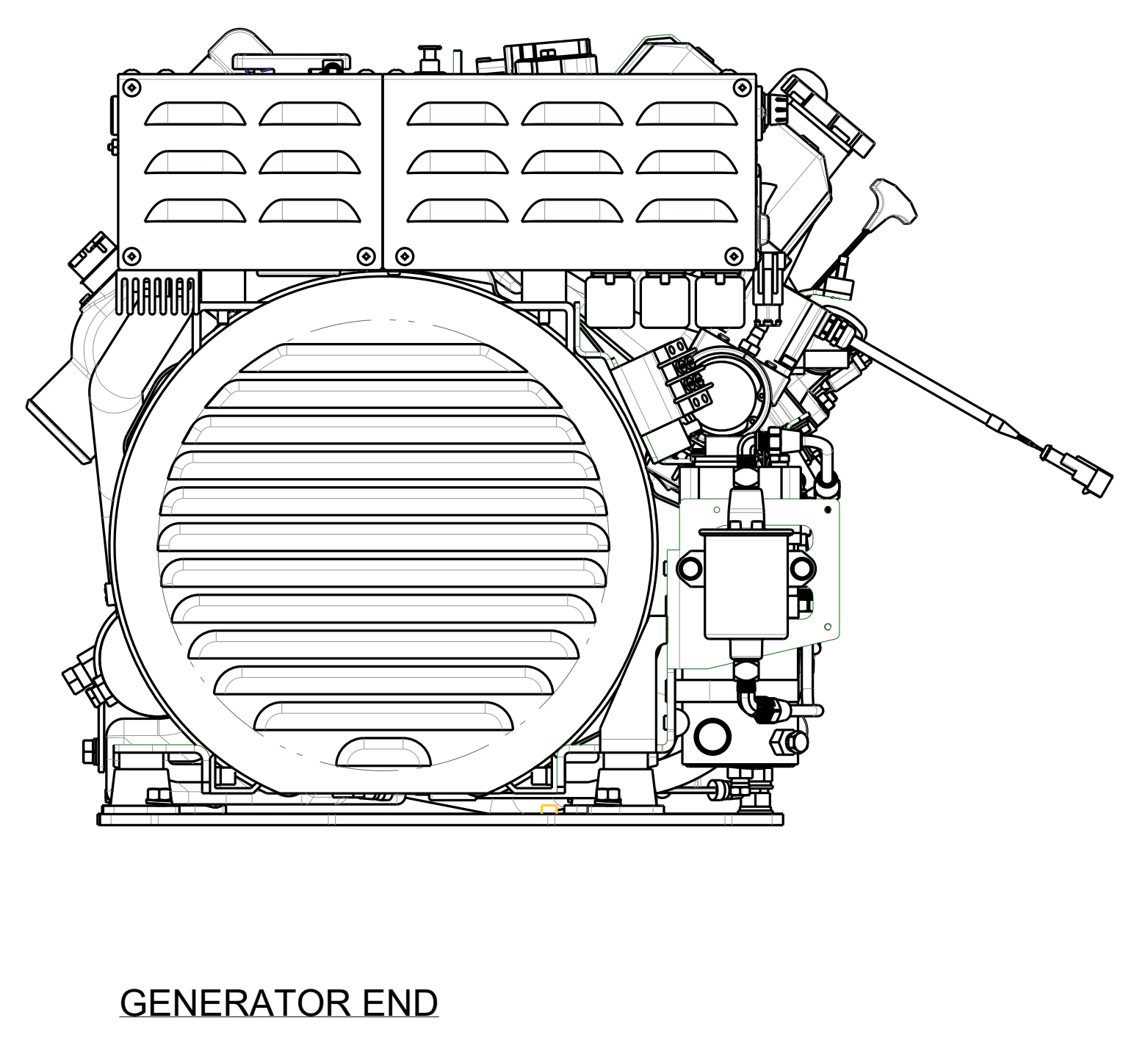
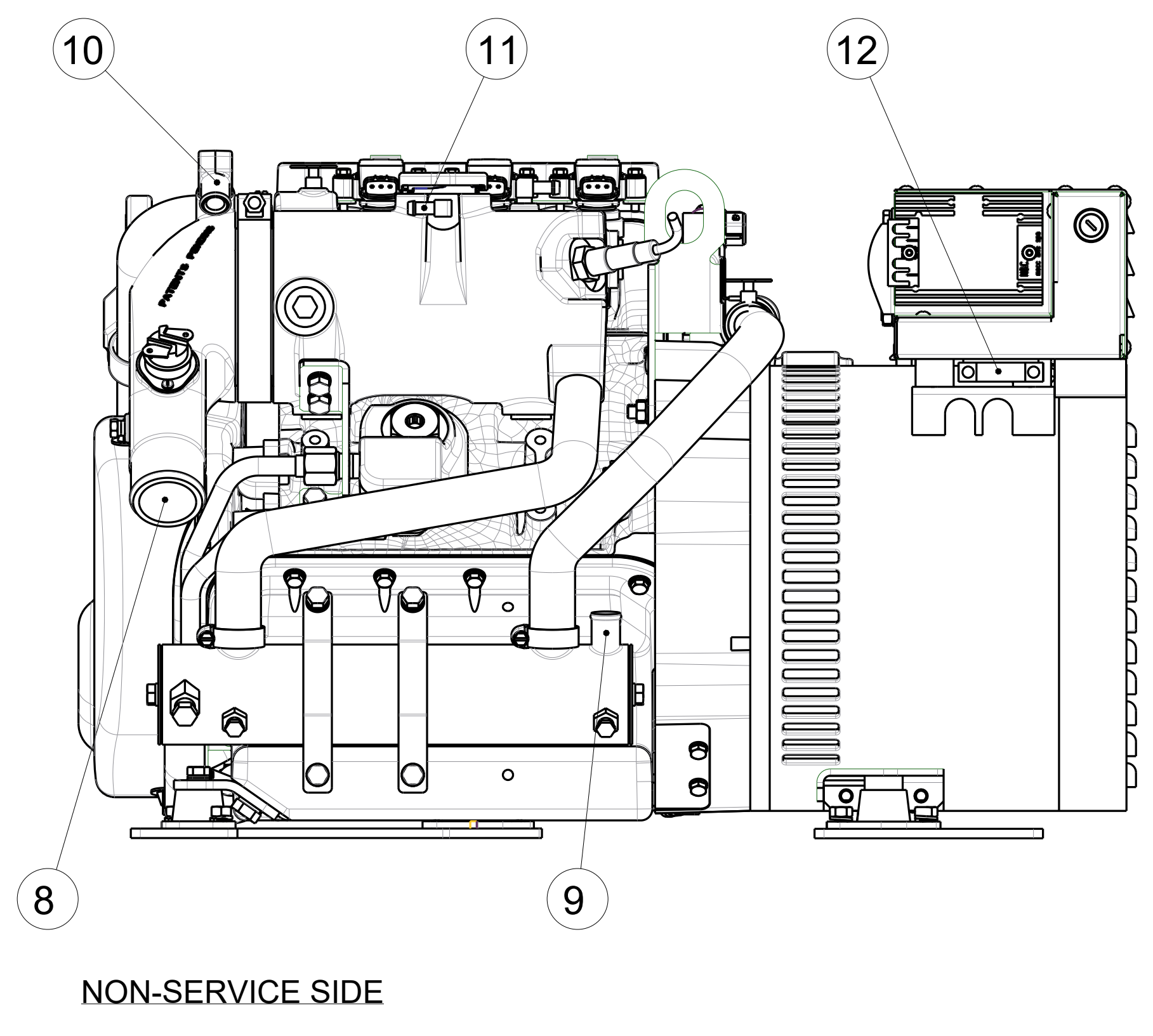
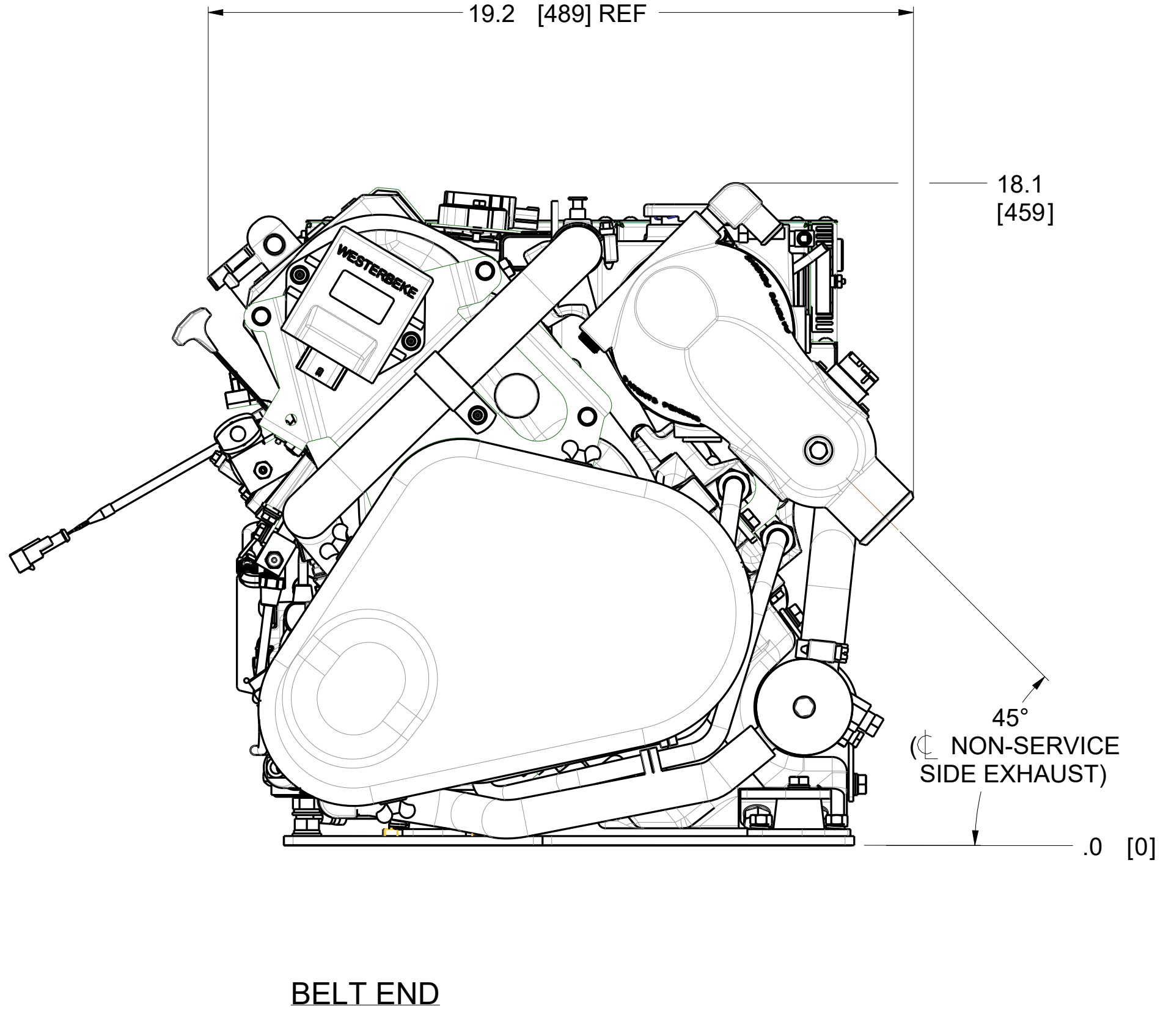
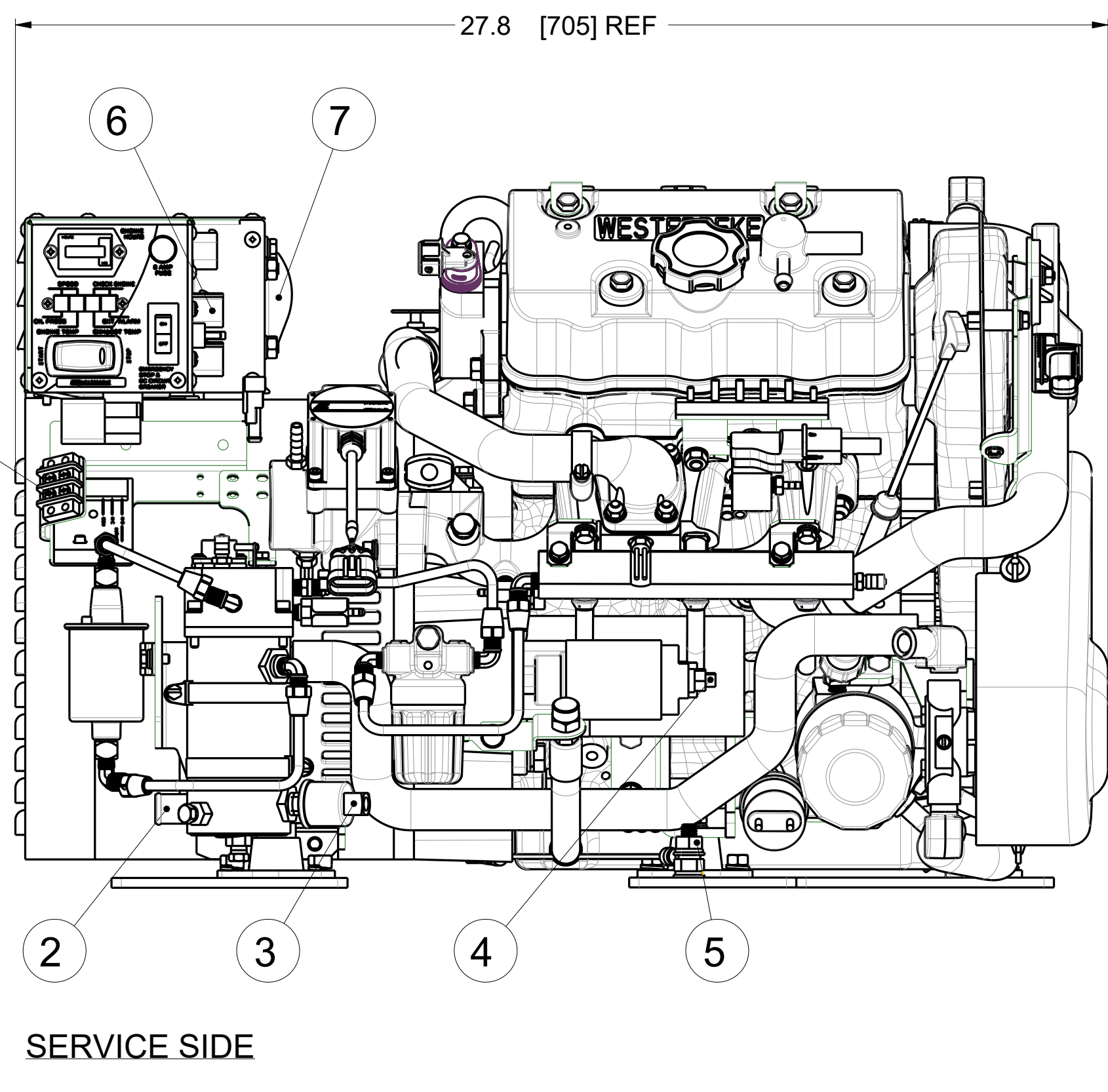
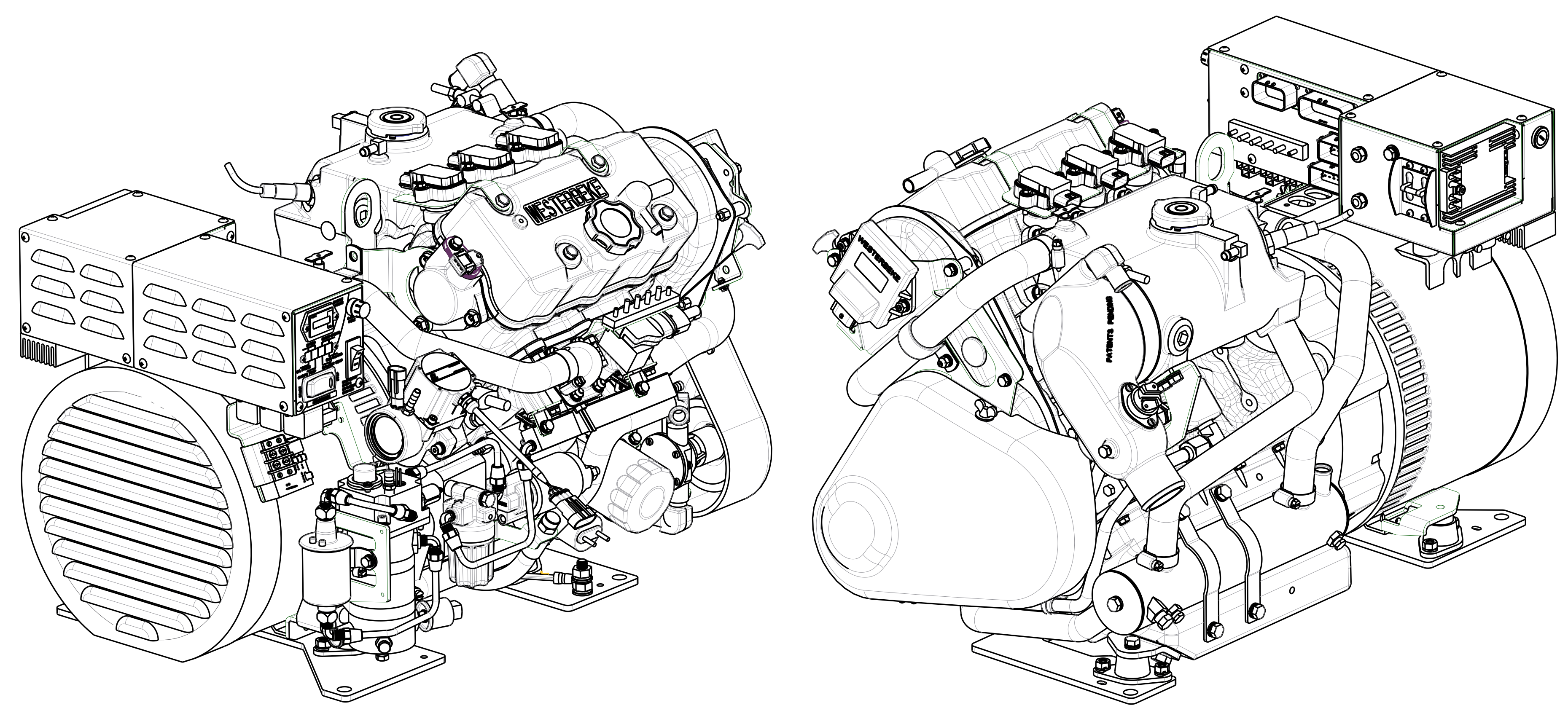
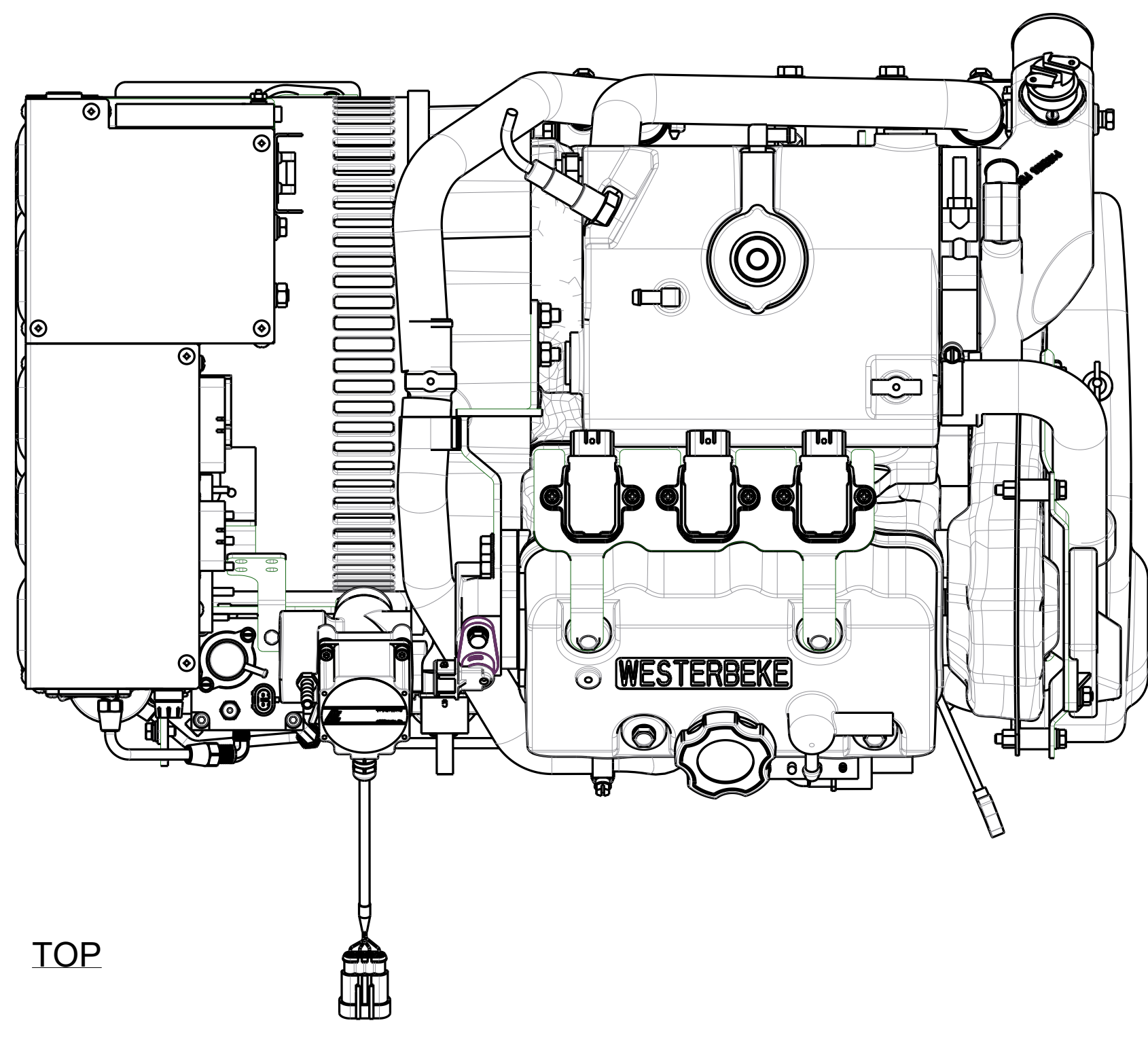


ITEM	CONNECTIONS
1	FIRE BOY
2	RAW WATER INLET, REQUIRES 3/4 IN ID HOSE TO CONNECT
3	FUEL LINE, REQUIRES 1/8-27 NPT MALE TO CONNECT
4	BATTERY (POS)
5	BATTERY (NEG)
6	REMOTE PANEL
7	A/C CIRCUIT BREAKER
8	WET EXHAUST, REQUIRES 2 IN ID HOSE TO CONNECT
9	RAW WATER OUTLET (TO SIPHON BREAK), REQUIRES 3/4 IN ID HOSE TO CONNECT
10	RAW WATER INLET (FROM SIPHON BREAK), REQUIRES 3/4 IN ID HOSE TO CONNECT
11	COOLANT OVERFLOW, REQUIRES 5/16 IN ID HOSE TO CONNECT
12	AC POWER

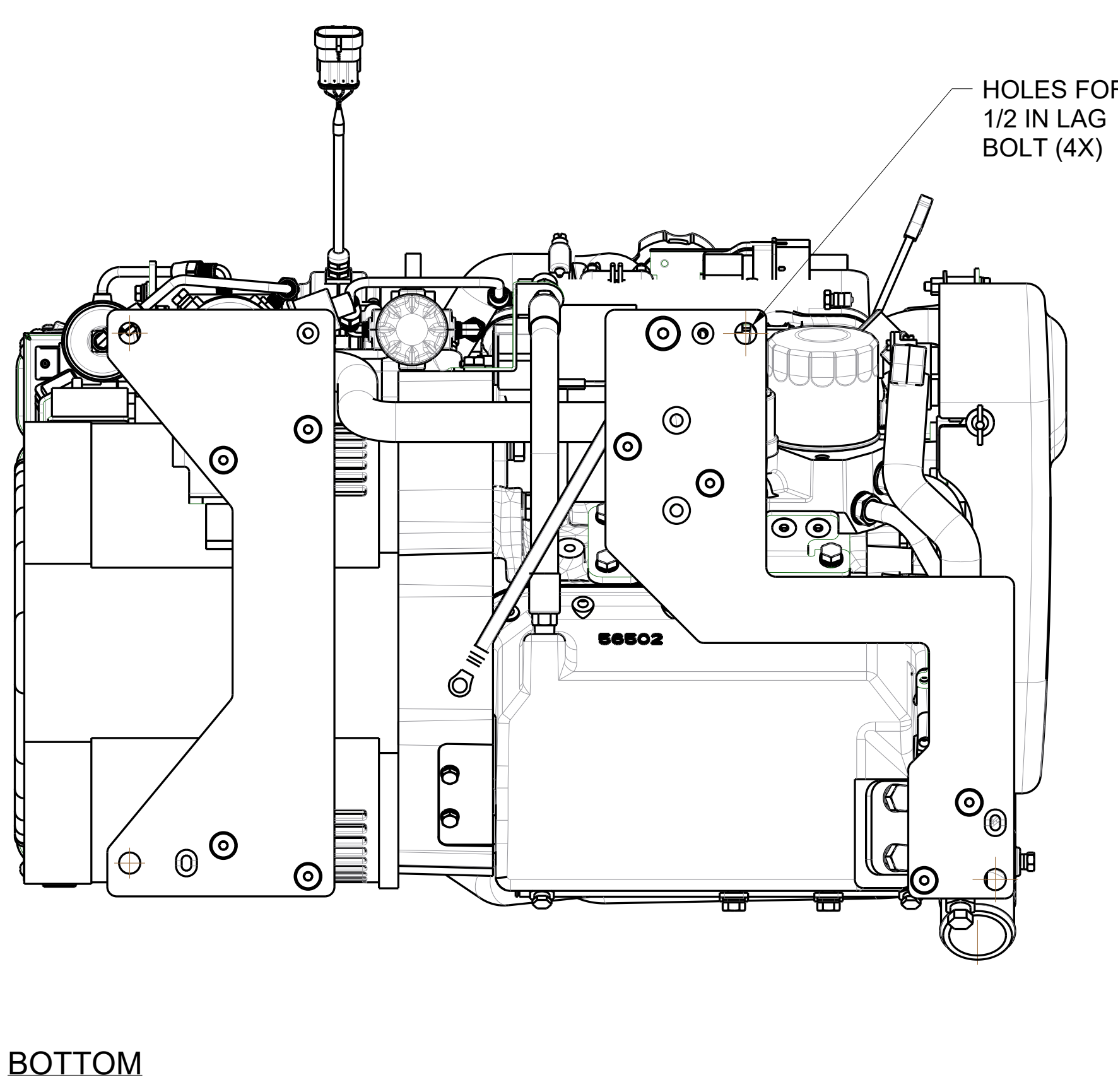
NOTES (UNLESS OTHERWISE SPECIFIED)
 1. UNIT OF DIMENSIONS: INCH [MM]
 2. TOLERANCE: ±.375 [9.5]

TOLERANCES <small>UNLESS OTHERWISE SPECIFIED</small> FINISH: MILLING: ±.005 [0.127] TURNING: ±.005 [0.127] DRILLING: ±.005 [0.127] HOLES: ±.005 [0.127] HOLE LOC: ±.010 [0.254] SURFACE: ±.005 [0.127]			
TITLE: DGINSTALL 7.5/6.2 MCGA DRAWN BY: CQP CHECKED BY: JGL/STP DATE: 07/14/2021 SCALE: 0.313 SHEET: 1 of 2		MATERIAL: FINISH: DATE: DRAWING NUMBER: 56572 REV: B	

THIS DRAWING IS PROPRIETARY TO WESTERBEKE CORP. AND MAY NOT BE REPRODUCED AND/OR TRANSMITTED IN ANY FORM OR BY ANY MEANS, ELECTRONIC OR MECHANICAL, WITHOUT EXPRESS WRITTEN PERMISSION.



REAR EXHAUST OPTION SHOWN



ITEM	CONNECTIONS
1	FIRE BOY
2	RAW WATER INLET, REQUIRES 3/4 IN ID HOSE TO CONNECT
3	FUEL LINE, REQUIRES 1/8-27 NPT MALE TO CONNECT
4	BATTERY (POS)
5	BATTERY (NEG)
6	REMOTE PANEL
7	A/C CIRCUIT BREAKER
8	WET EXHAUST, REQUIRES 2 IN ID HOSE TO CONNECT
9	RAW WATER OUTLET (TO SIPHON BREAK), REQUIRES 3/4 IN ID HOSE TO CONNECT
10	RAW WATER INLET (FROM SIPHON BREAK), REQUIRES 3/4 IN ID HOSE TO CONNECT
11	COOLANT OVERFLOW, REQUIRES 5/16 IN ID HOSE TO CONNECT
12	AC POWER

NOTES (UNLESS OTHERWISE SPECIFIED)
 1. UNIT OF DIMENSIONS: INCH [MM]
 2. TOLERANCE: ±.375 [9.5]

TOLERANCES <small>UNLESS OTHERWISE SPECIFIED</small> FINISH: MILL HOLE: 1/16 (0.0625) HOLE: 1/32 (0.03125) HOLE: 1/64 (0.015625) HOLE: 1/128 (0.0078125) HOLE: 1/256 (0.00390625)				<small>100 JOHN HANCOCK BL. FAYHON MA 02716 (508) 653-7677</small>
TITLE: DGINSTALL 7.5/6.2 MCGA DRAWN BY: CQP CHECKED BY: JLL/STP DATE: 07/14/2021 SCALE: 0.313 SHEET: 2 OF 2		MATERIAL: FINISH: DATE: DRAWING NUMBER: REV:		56572 B

THIS DRAWING IS PROPRIETARY TO WESTERBEKE CORP. AND MAY NOT BE REPRODUCED AND/OR TRANSMITTED IN ANY FORM OR BY ANY MEANS, ELECTRONIC OR MECHANICAL, WITHOUT EXPRESS WRITTEN PERMISSION.